

Gas Discharge Tube Type Arrestor with Type N connectors



- ✦ Frequency to 12.5 GHz
- ✦ Superior RF Performance
- ✦ Multiple Strike Capability
- ✦ 20 kA Surge Protection
- ✦ Rugged and Waterproof
- ✦ Bi-directional Protection
- ✦ RoHS Compliant

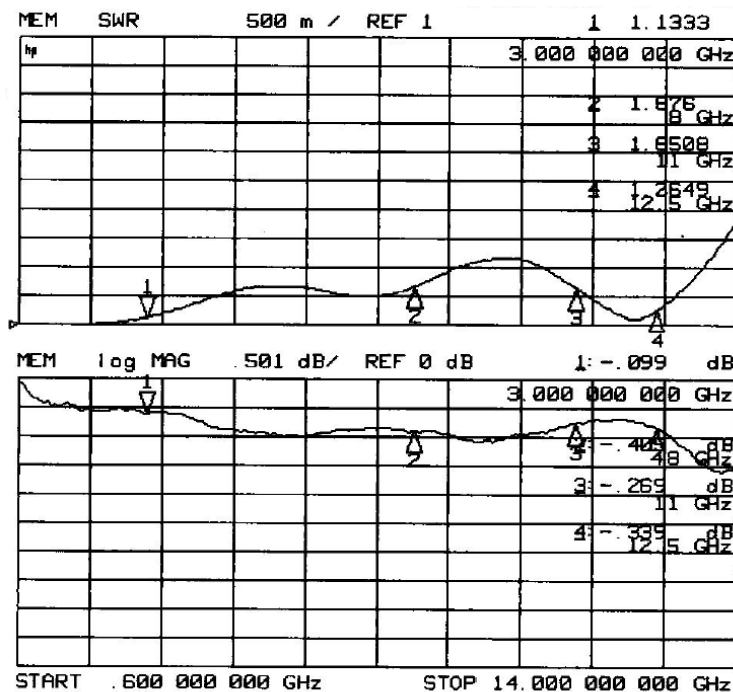
RF Specifications

- ✦ Nominal Impedance: 50Ω
- ✦ RF Power: 100 W Maximum (Frequency Dependent)
- ✦ Through Current: 65 Vdc / 5A Maximum

Transient Specifications

- ✦ Protection Voltage (nominal): 200V
- ✦ Maximum Transient: 20 kA (8x20μs)
- ✦ Multiple Strike: 5kA 10 times
- ✦ Let-through Energy: 475 V_{peak}/300μJ
(Input of 4kV 1.2x50μs / 2kA 8x20μs)

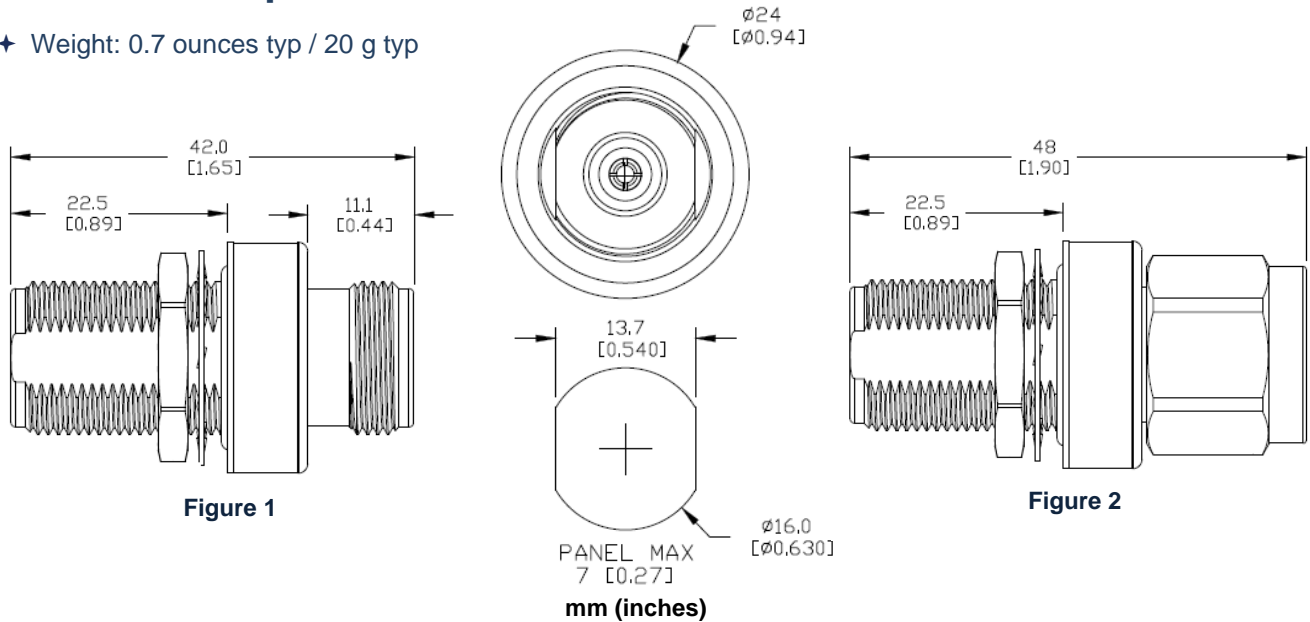
Frequency (GHz)	VSWR (Average)	Insertion Loss, dB (Typ)
DC – 3.0	1.2	0.15
3.0 – 8.0	1.8	0.6
8.0 – 11.0	2.1	0.6



Typical VSWR and Insertion Loss

Mechanical Specifications

✦ Weight: 0.7 ounces typ / 20 g typ



Environmental Specifications

Temperature Range	-40°C to +90°C
Salt Fog	MIL-STD-202 Method 101D / Condition B (35°C/96 hrs)
Immersion	MIL-STD-202 Method 104A / Condition A (65°C to 25°C w/NaCl – 2 cycles)
Moisture Resistance	MIL-STD-202 Method 106E (65 °C/98% RH condensing/240 hrs)
Temperature Shock	MIL-STD-202 Method 107D / Condition B-1 (25 cycles -65°C to +125°C)
Life (Elevated Temperature)	MIL-STD-202 Method 108A / Condition A (96 hours at 100°C)
Dust and Waterproof Rating	IEC529 IP68 (dust-tight and water proof 24 hrs / 1 m)
Vibration	MIL-STD-202 Method 204D / Condition D (10Hz-2kHz 0.06"DA/20g)
Mechanical Shock	MIL-STD-202 Method 213 / Condition A (50g/11ms ~24")

Material and Finish

Component	Material	Finish
Outer Parts	Brass	Nickel
Contacts	BeCu or Brass	Gold
Connectors	Brass	Gold
Insulator	PTFE	-
Gasket	Silicone	-

Part Number

Part Number	Flange Side Connector	Mounting Nut Side Connector	Fig.
PTCONFONF20G	Type N Female	Type N Female	1
PTCONMONF20G	Type N Male	Type N Female	2